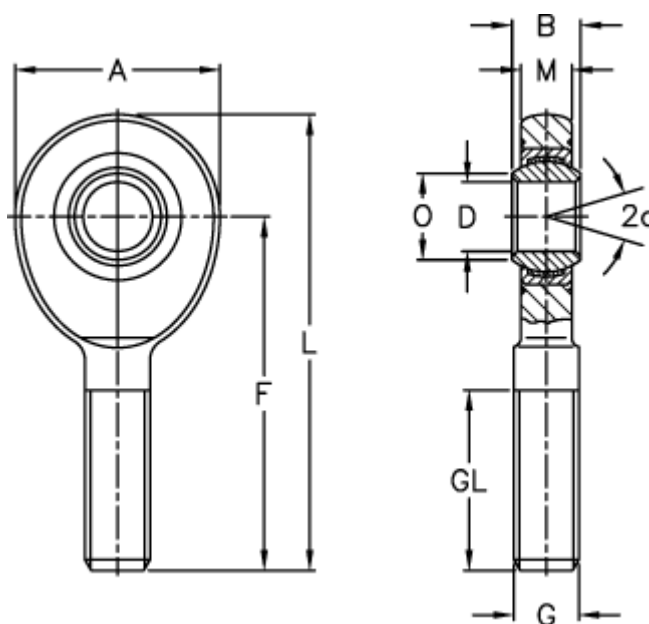


Article number: 03466016  
 Description: Fluro Rod end EA 16D  
 Note: 16

## Measures



A	= 46	L	= 92
a (degrees)	= 10	M	= 11
B	= 14	O	= 20.7
D	= 16	Static drive kN	= 54
Dynamic drive (kN)	= 22.5	Weight	= 190
F	= 69		
g	= M 16		
GL	= 36		